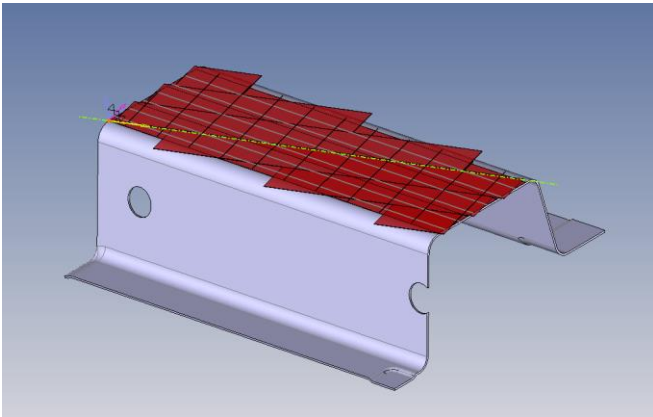


Enriched CAD/CAM system

Based on TopSolid applications, the enriched CAD solution allows end users to simulate the necessary operations to apply on the part for tape laying processes. It helps to generate the tool paths for the texturing and for the tape layout deposition on complex parts. Based on the CAD simulations, the enriched CAM simulate and generate the NC code to pilot the robots into the cell for the production line.

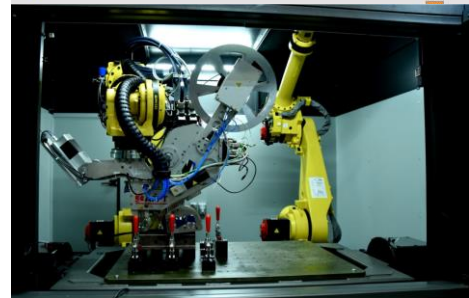
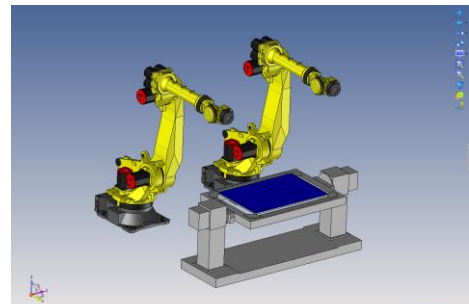


Technical Features

- Tool path computation and simulation for texturing operation
- Tape layout deposition simulation and tool path computation
- Cells management
- Robots simulation and management

Sectorial Applications

- Aeronautics
- Space
- Automotive
- Energy power generation
- Tubing
- Hybrid structures (metal reinforcement)



FOR MORE INFORMATION CONTACT US:

Missler Software

Jean Claude Morel

Jc.morel@topsolid.com

254 l'Occitane, 31670 Labège - France

Phone: +33 (0)5 61 00 03 00

